



DOPAK® Sample Bottle Adapter for liquid samplers



The sample bottle adapter (SBA) for Dopak liquid samplers offers zero emission during the filling of the bottle. The SBA ensures an advanced way of sampling without the need to use a needle assembly and a bottle with cap and septum.

The SBA for Dopak liquid samplers improves safety in the widest sense:

- Local spillage can be avoided
- Volatile substances should not escape into the atmosphere during filling of the bottle
- Vent gases can be vented through a special vent connection

Basic Specifications

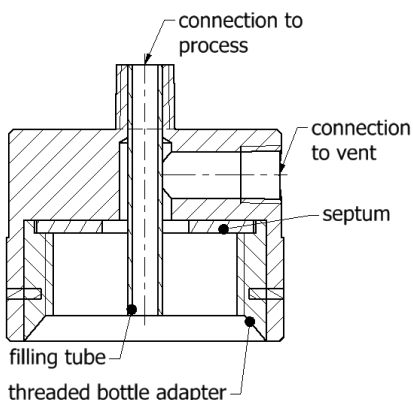
Material	: SS316L, Polypropylene.
Filling tube	: 6 mm.
Connections	: 1/4" NPT.
Bottle necksize	: PP25, PP28, PP36, GL32, GL45.

Features / Options

- PTFE coated rubber bottle seal during filling
- PP threaded insert for smooth bottle guidance
- Optional carbon filter on vent outlet
- Independed of bottle volume
- Other bottle neck sizes are possible

Dopak Sample Bottle Adapter is also available with the extra safety feature No Bottle No Flow. For more information, please refer to our sheet: **Dopak component sheet No Bottle No Flow (NBNF)**

For any other information required, please contact our sales department in Bergschenhoek, the Netherlands, or Houston, TX, USA or your local distributor.



Dopak Inc.
Houston, Texas 77041, USA
Phone 713-460-8311
E-mail info-dopak@cranecpe.com

Dovianus B.V.
Bergschenhoek, The Netherlands
Phone +31 10 524 20 00
E-mail dopak@cranecpe.com

www.dopak.com

